

# Case

Date:21.06.2026

Article number: 102 074-33



# Table of content

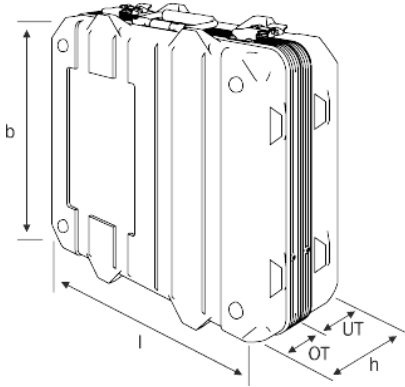
Information .....	3
Measurements .....	3
Colors .....	3

# Information

The lightweight plastic shells are available in nine standard colors and made of high-impact polyethylene (PE-HD). They are also resistant to chemical influences. Color and shape are therefore retained even under extreme loads and they meet even the toughest industry-specific standards. With its handy dimensions, the case offers the cargo perfect protection with full mobility. Depending on the version, a case also meets special civil and military packaging standards, such as the ATA 300 (Category I).

Trolley version with wheel 400 150/400 165 possible

# Measurements



Interior (l x w x h (base + lid)) [mm]:  
845 x 575 x 320 (155 + 165)

Exterior (l x w x h (base + lid)) [mm]:  
890 x 620 x 350 (170 + 180)

Weight 9,8 kg

# Colors



RAL: similar to 9011, black



RAL: similar to 6014, army green



RAL: similar to 9010, white



RAL: similar to 9007, silver grey



RAL: similar to 1021, yellow



RAL: similar to 2004, orange



RAL: similar to 2002, red



RAL: similar to 5002, blue



RAL: similar to 7016, dark grey



RAL: similar to 1002, desert tan

# Contact

Date:21.06.2026

## Thermodyne GmbH

Nordstr. 15

49086 Osnabrück

Dr.-Ing. Daniel Bätzel

+49 (0) 541 / 181 4997-95

[www.thermodyne.de](http://www.thermodyne.de)

[info@thermodyne.de](mailto:info@thermodyne.de)