

Oxygen generators

Date:04.04.2026

Article number: 103 001 - for oxygen generators

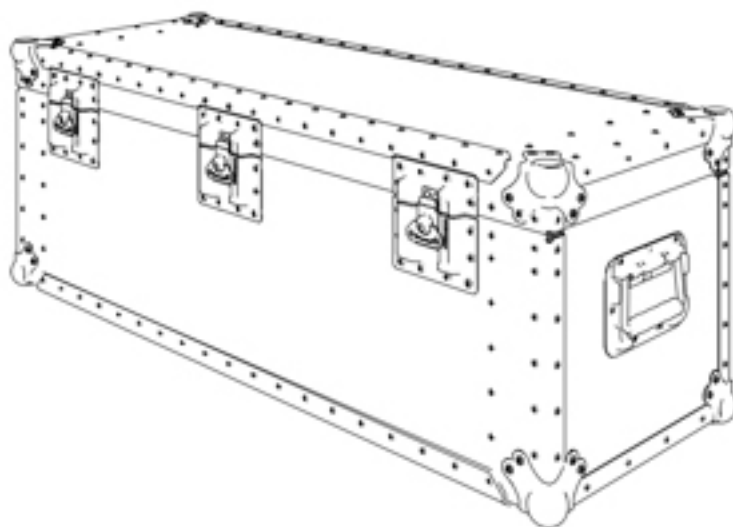


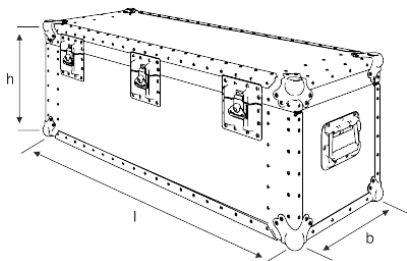
Table of content

Information	3
Measurements	3
Colors	3

Information

Hazardous Goods Container made of stainless steel for approx. 4 oxygen generators (COG). The generators can be fixed onto variable positionable fixtures. The shipping cases pass the UN3356 requirements as well as the specification HM22FB/DOT31FP (flame and heat penetration requirements set forth in 49 CFR 173.168) and have passed the 280 cycle drop test of the ATA300 Cat. 1 standard. On stock available and on request with an individual labeling (e.g. laser engraved plates with property markings).

Measurements



Interior (l x w x h (base + lid)) [mm]:
400 x 335 x 160

Exterior (l x w x h (base + lid)) [mm]:
500 x 670 x 190

Colors

RAL: similar to 9006, stainless steel

Contact

Date:04.04.2026

Thermodyne GmbH

Nordstr. 15

49086 Osnabrück

Dr.-Ing. Daniel Bätzel

+49 (0) 541 / 181 4997-95

www.thermodyne.de

info@thermodyne.de