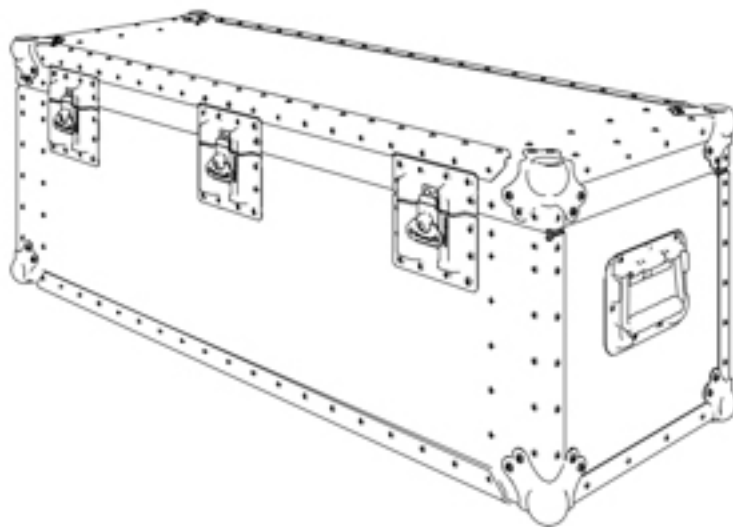


# Oxygen generators

Date:28.04.2026

Article number: 103 002 - for oxygen generators



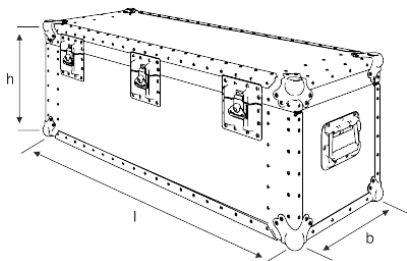
# Table of content

Information .....	3
Measurements .....	3
Colors .....	3

## Information

Hazardous Goods Container made of stainless steel for approx. 10 oxygen generators (COG) or a Passenger Service Unit (PSU). The generators can be fixed onto variable positionable fixtures. The shipping cases pass the UN3356 requirements as well as the specification HM22FB/DOT31FP (flame and heat penetration requirements set forth in 49 CFR 173.168) and have passed the 280 cycle drop test of the ATA300 Cat. 1 standard. On stock available and on request with an individual labeling (e.g. laser engraved plates with property markings).

## Measurements



Interior (l x w x h (base + lid)) [mm]:  
770 x 607 x 160

Exterior (l x w x h (base + lid)) [mm]:  
870 x 640 x 190

## Colors

RAL: similar to 9006, stainless steel

# Contact

Date:28.04.2026

## Thermodyne GmbH

Nordstr. 15

49086 Osnabrück

Dr.-Ing. Daniel Bätzel

+49 (0) 541 / 181 4997-95

[www.thermodyne.de](http://www.thermodyne.de)

[info@thermodyne.de](mailto:info@thermodyne.de)