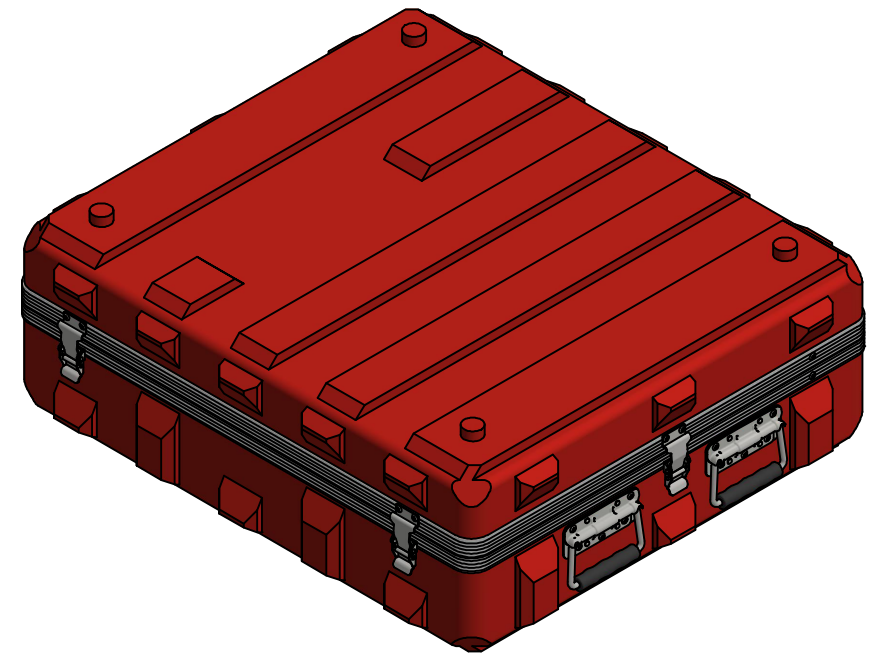
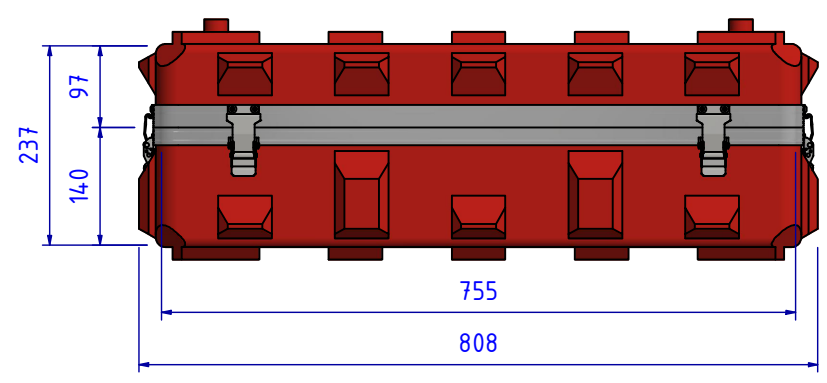
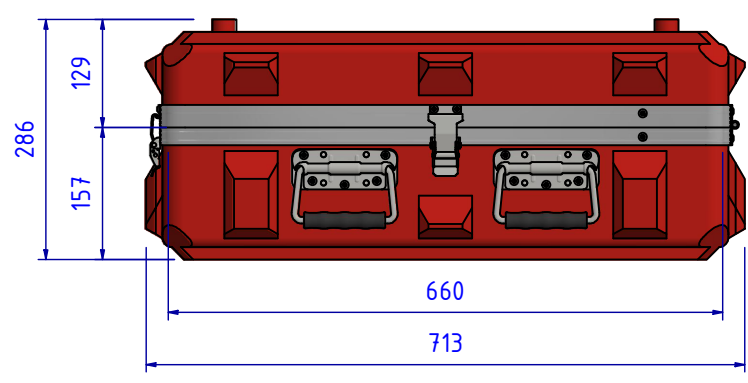


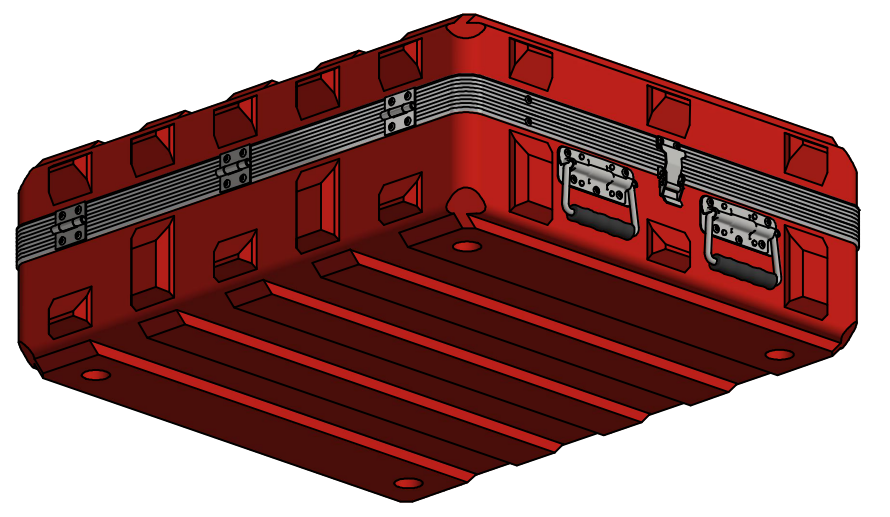
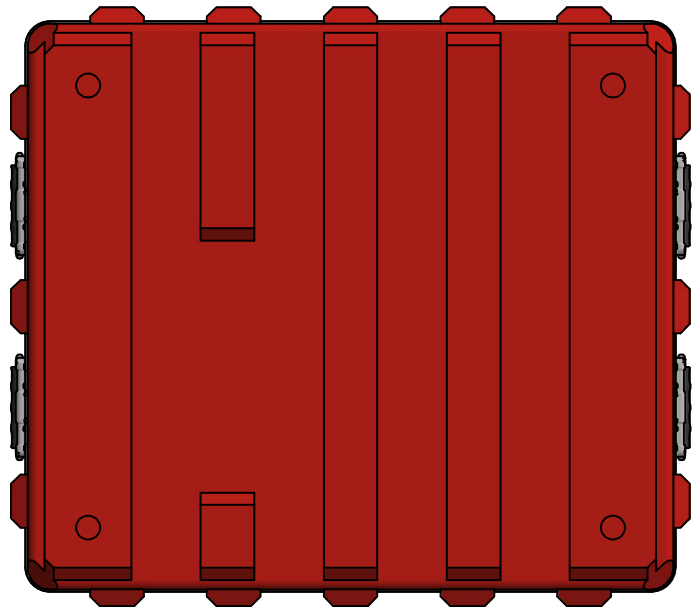
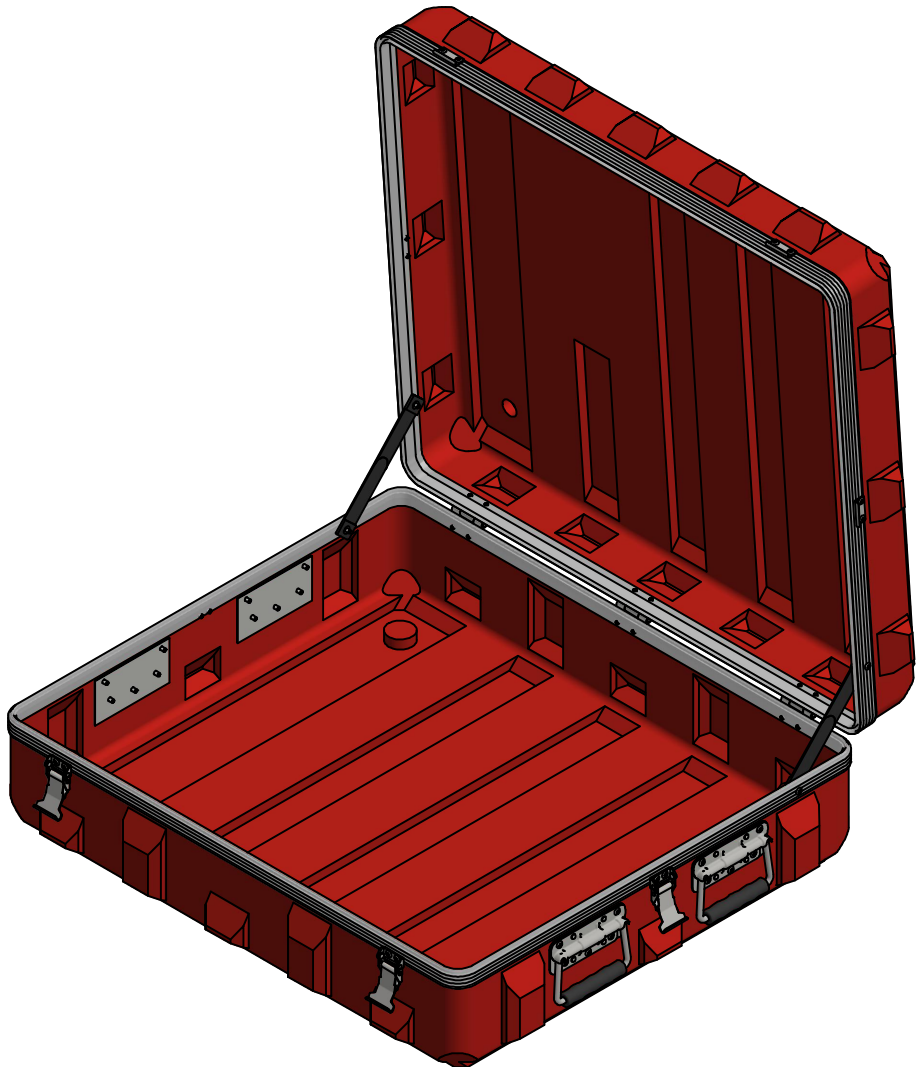
1 2 3 4 5 6 7 8

A



B

C



D

E

Nr.	Qty.	PN	Name
1	1	PDM-11436	Unterteil / base
2	1	PDM-11433	Deckel / lid
3	3	400012.1	Scharnier / hinge 400 012 (Edelstahl / stainless steel)
4	4	400128.1	Verschluss / catch 400 128 (Stahl verzinkt / steel zincked)
5	4	400120.1	Handgriff / handle 400 120 (Stahl verzinkt / steel zincked)
6	2	400010b.1	Aufhalteband / webbing lid stay 400 010b

 Thermodyne PACKAGING SOLUTIONS		Tolerance		810 x 713 x 286	
		ISO 2768 - v			
		Date	Name		Thermodyne 102 065-21
		Drawer	DBä		
		Reviewed			
		Project owner		DBAE	
		Thermodyne GmbH			
		Nordstr. 15 D-49086 Osnabrück www.thermodyne.de			
		Version:		Customer reference: 14.0009	
Status Changes		Date	Name		

F

1 2 3 4 5 6 7 8