

1 2 3 4 5 6 7 8

A

B

C

D

E

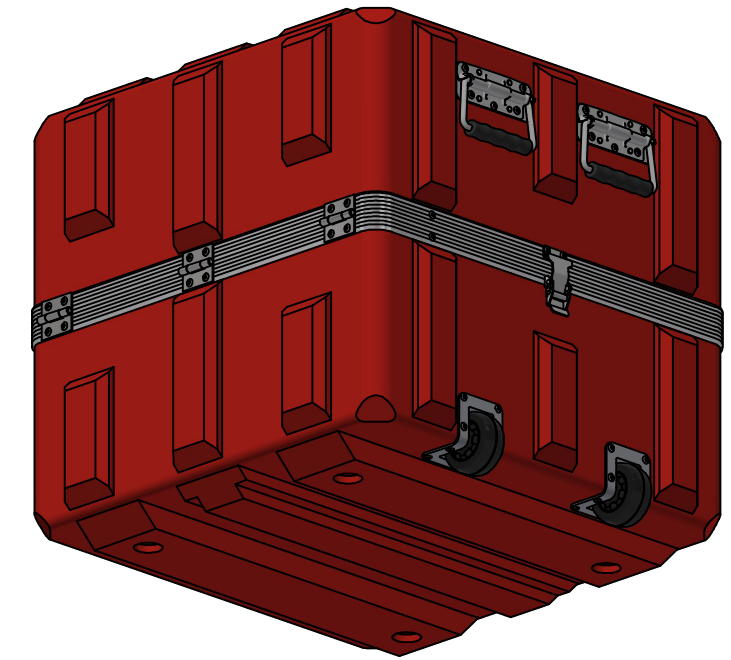
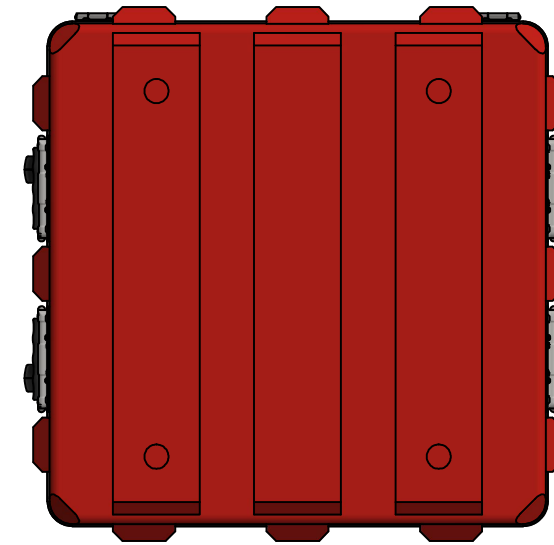
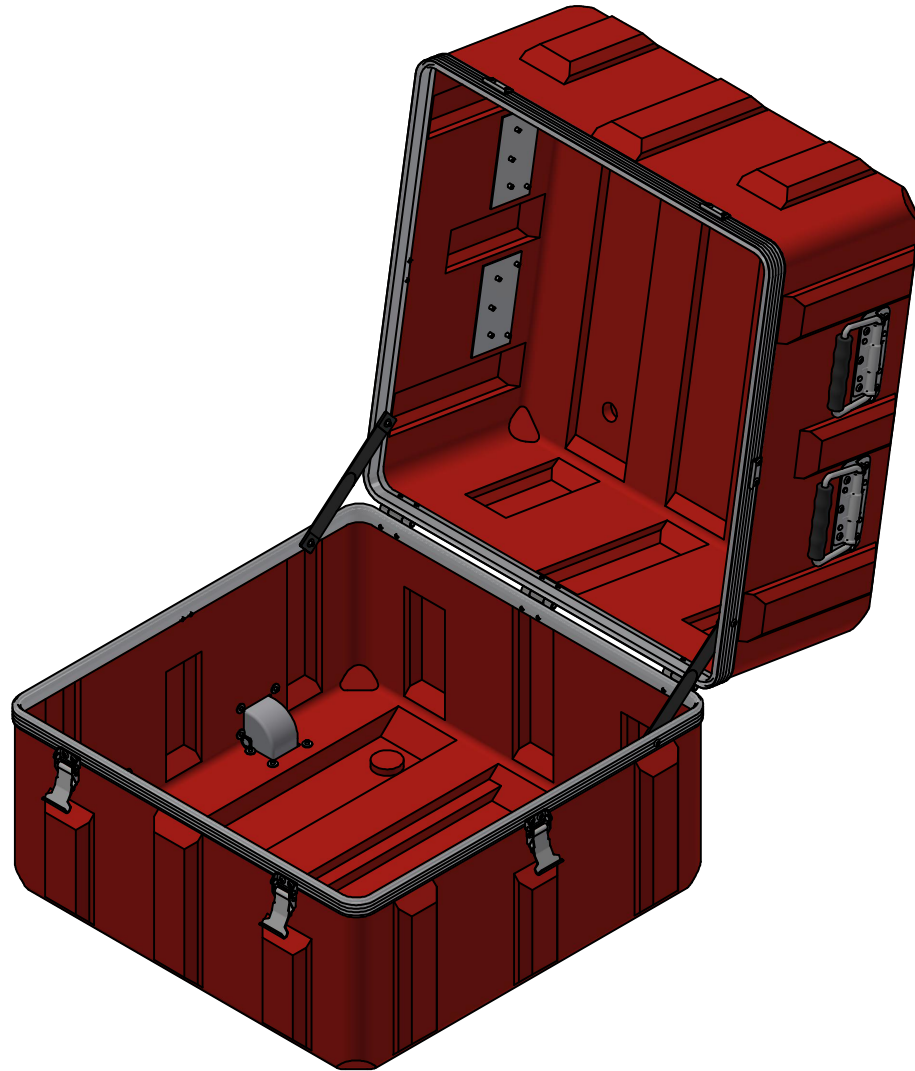
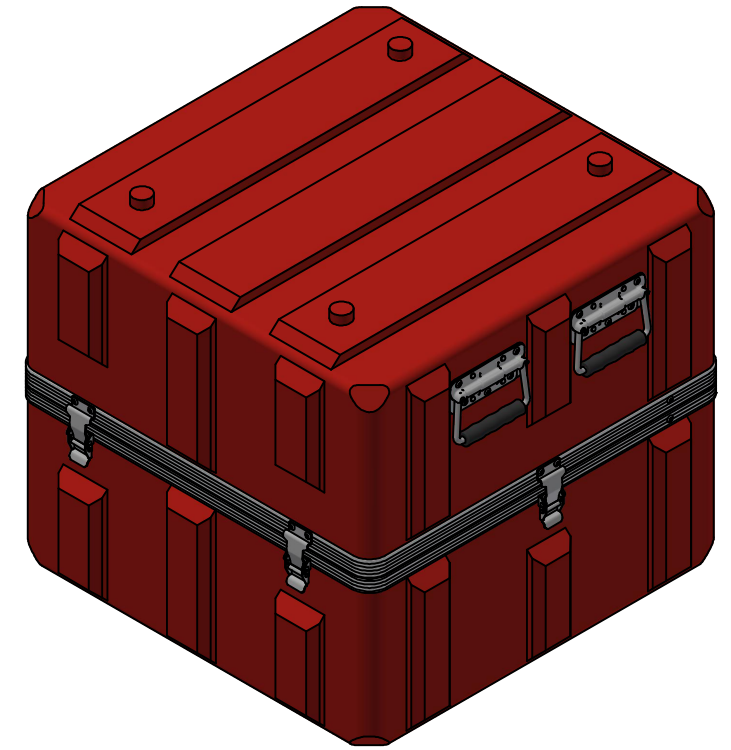
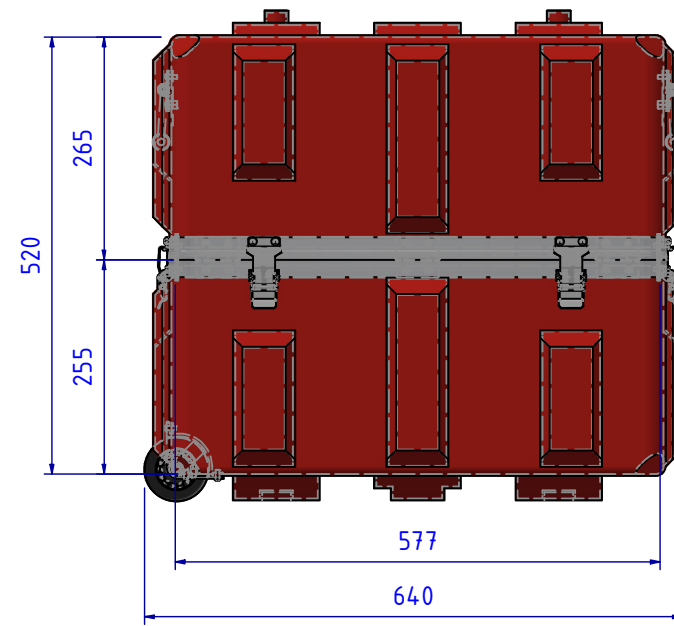
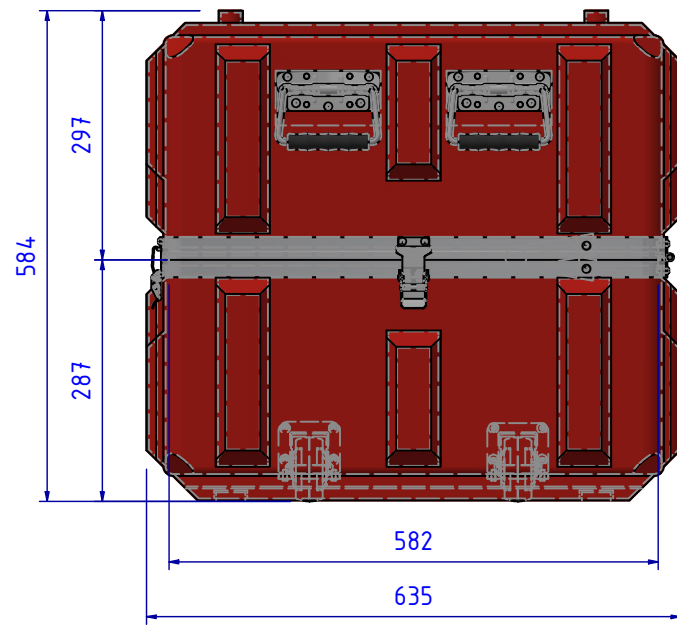
A

B

C

D

E



Nr.	Qty.	PN	Name
1	1	PDM-57741	Unterteil / base
2	1	PDM-57738	Deckel / lid
3	3	400012.1	Scharnier / hinge 400 012 (Edelstahl / stainless steel)
4	4	400128.1	Verschluss / catch 400 128 (Stahl verzinkt / steel zincked)
5	2	400150.1	Rolle / wheel 400 150 (Zink / Zinc)
6	2	400010b.1	Aufhalteband / webbing lid stay 400 010b
7	4	400120.1	Handgriff / handle 400 120 (Stahl verzinkt / steel zincked)

Thermodyne <small>PACKAGING SOLUTIONS</small>				Tolerance		641.00 x 635.00 x 584.00		
				ISO 2768 - v				
1	protection ribs on sides changed	21.08.20	DBä	Date	Name	Thermodyne 102 187-520 Trolley 102187-520tn REV. 0 1 / 1 A3 Customer reference: 14.0009		
1.A	-	06.09.21	KBoe	Drawer	30.01.2025			YNi
1.B				Reviewed				
				Project owner		ASC		
				Thermodyne GmbH				
				Nordstr. 15 D-49086 Osnabrück www.thermodyne.de				
Status Changes		Date	Name	Version:				

1 2 3 4 5 6 7 8