

1 2 3 4 5 6 7 8

A

B

C

D

E

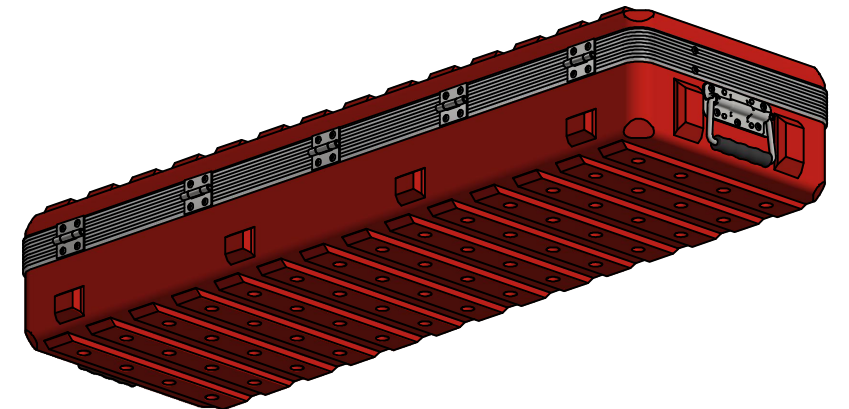
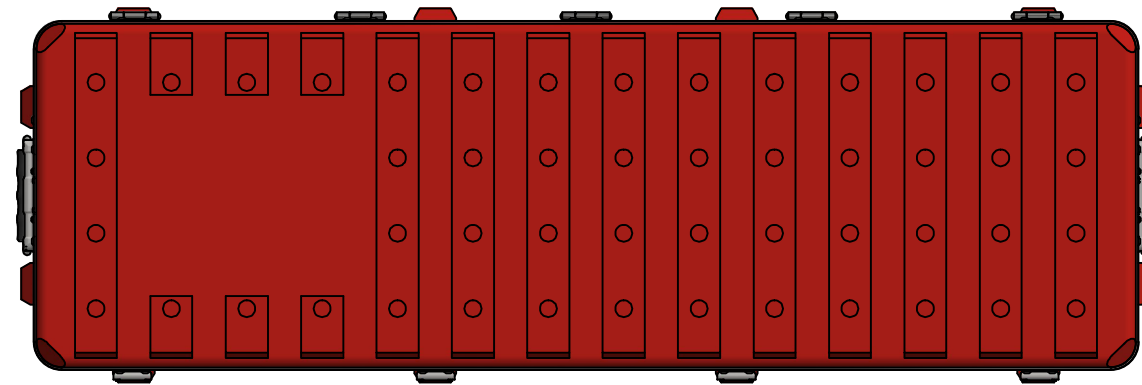
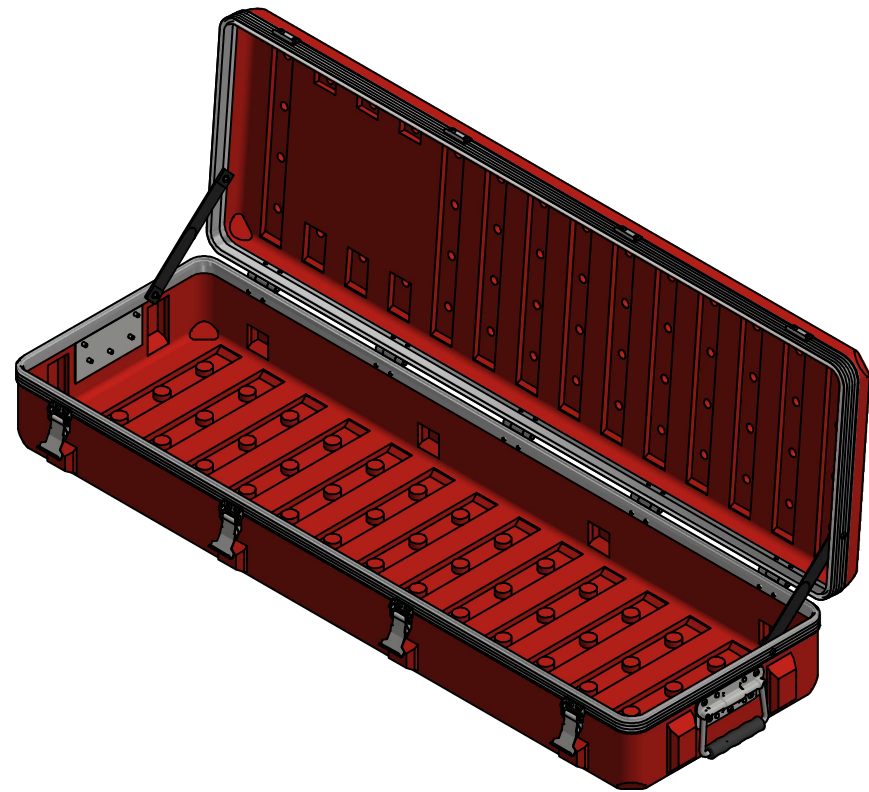
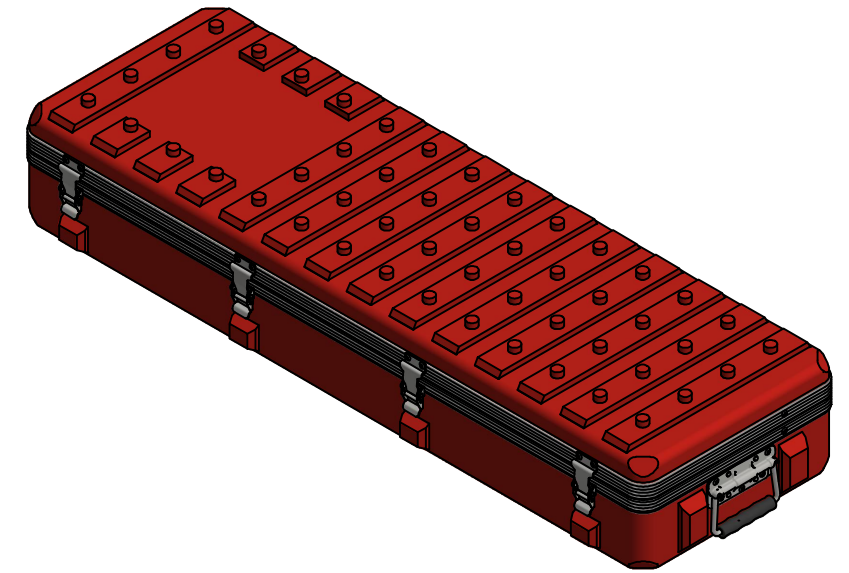
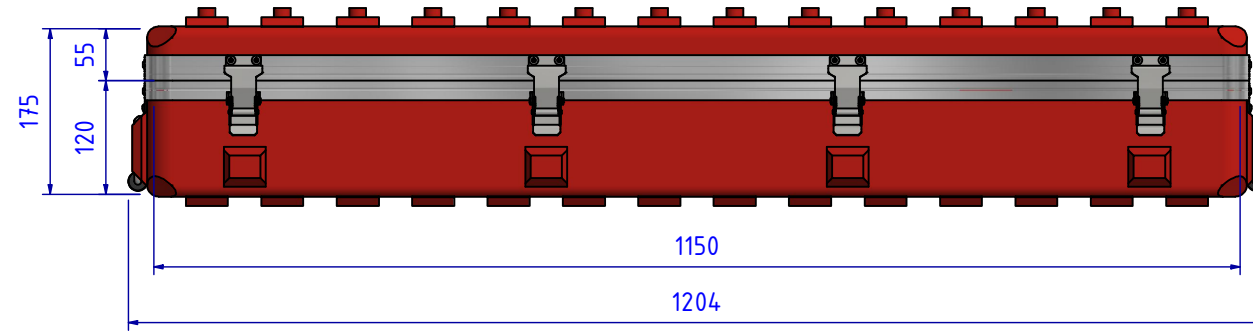
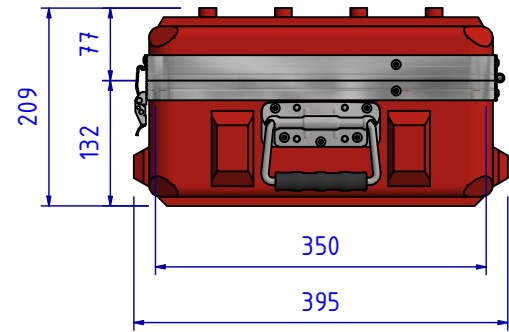
A


B

C

D

E



 <b>Thermodyne</b> <small>PACKAGING SOLUTIONS</small>				Tolerance ISO 2768 - v		1205.00 x 395.00 x 209.00	
0.A				Date	Name		Thermodyne 120 40 03
				Drawer	18.11.2021	YNi	
				Reviewed			
				Project owner		CCO	
				Thermodyne GmbH			
				Nordstr. 15 D-49086 Osnabrück www.thermodyne.de			
				Status	Changes	Date	Name
				Version:		Customer reference: 14.0009	

Nr.	Qty.	PN	Name
1	1	PDM-26958	Unterteil / base
2	1	PDM-26955	Deckel / lid
3	5	400012.1	Scharnier / hinge 400 012 (Edelstahl / stainless steel)
4	4	400128.1	Verschluss / catch 400 128 (Stahl verzinkt / steel zincked)
5	2	400010a.1	Aufhalteband / webbing lid stay 400 010a
6	2	400120.1	Handgriff / handle 400 120 (Stahl verzinkt / steel zincked)

1 2 3 4 5 6 7 8