

1 2 3 4 5 6 7 8

A

B

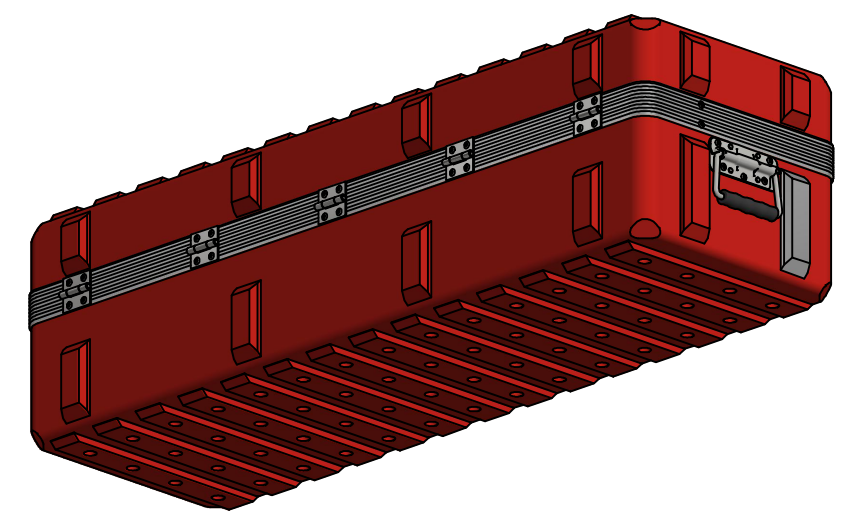
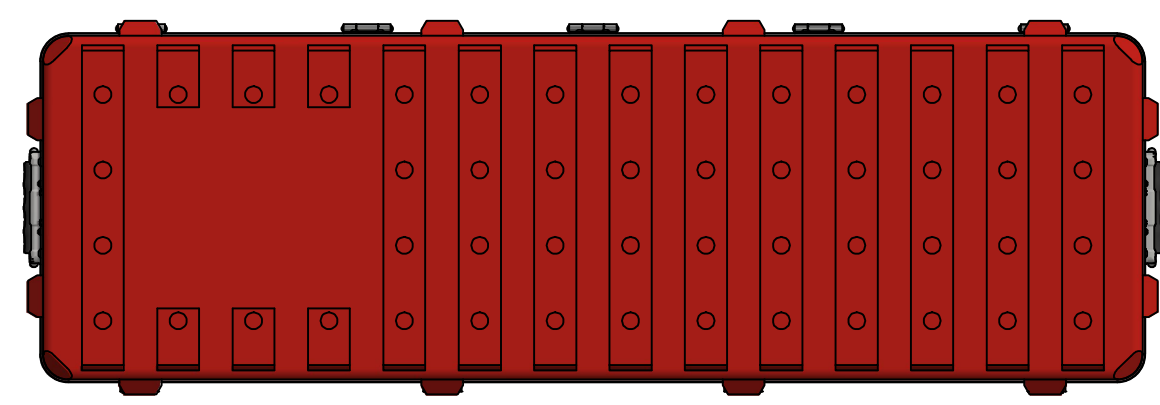
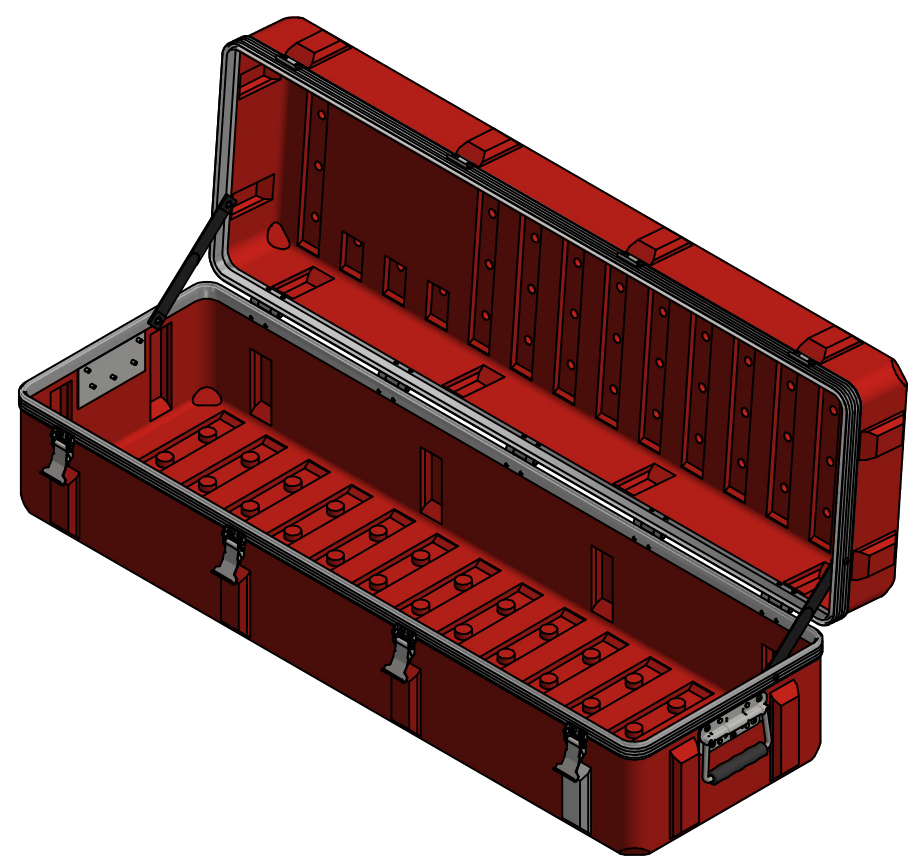
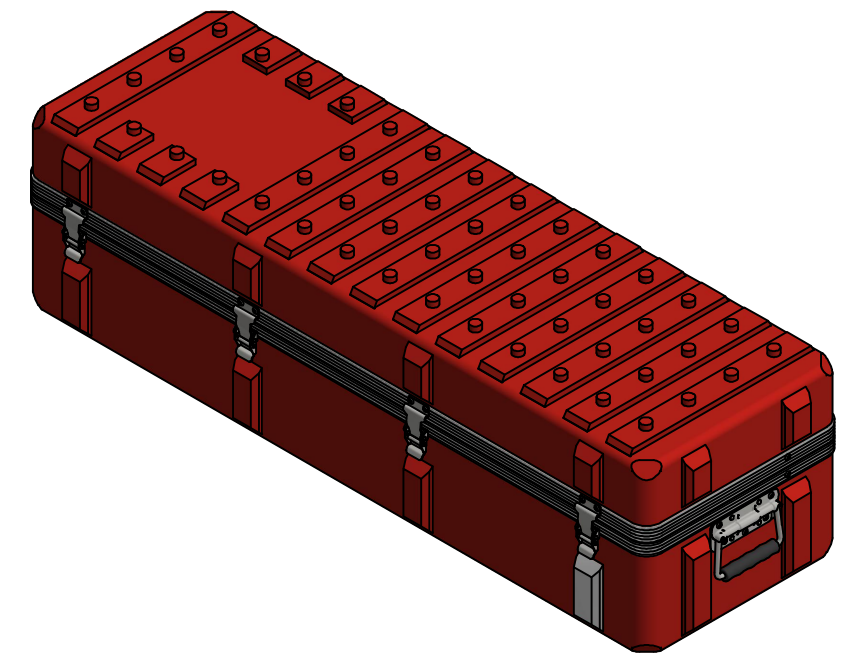
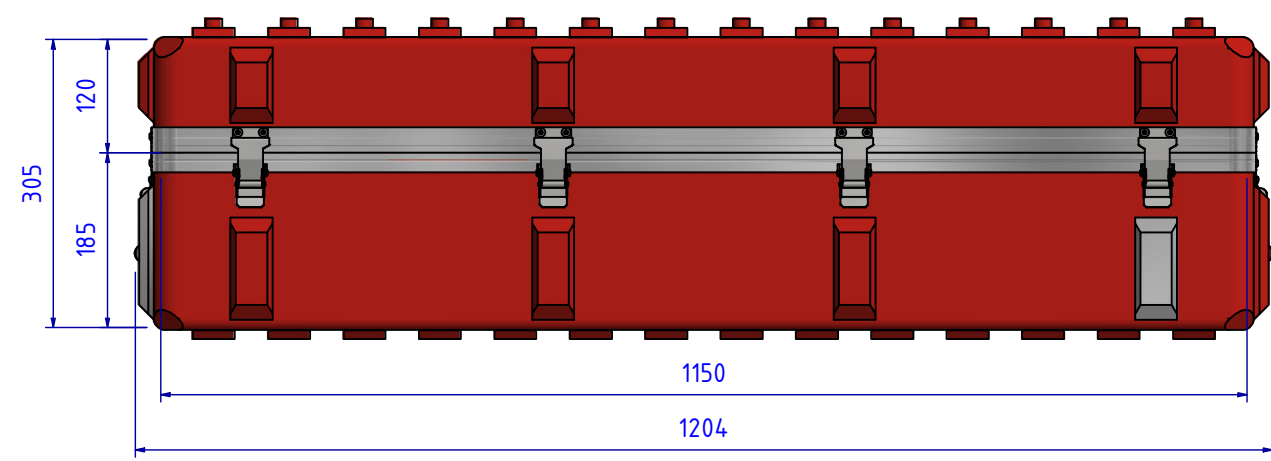
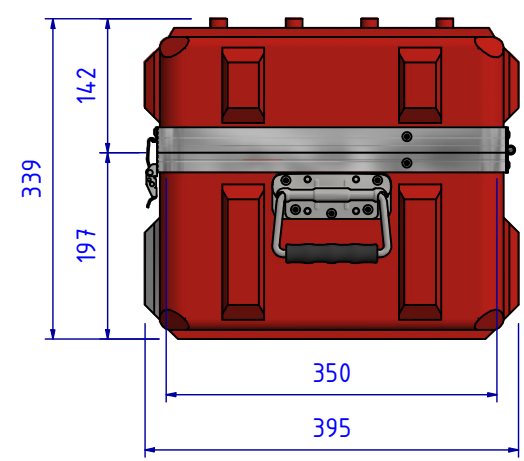
C


D

E

F

1 2 3 4 5 6 7 8



 <b>Thermodyne</b> PACKAGING SOLUTIONS				Tolerance ISO 2768 - v		1205.00 x 395.00 x 339.00	
0.A				Date	Name		Thermodyne 120 40 05
				Drawer	18.11.2021	YNi	
				Reviewed			
				Project owner		LHA	1204005n
				Thermodyne GmbH			
				Nordstr. 15 D-49086 Osnabrück www.thermodyne.de			REV. 0
				Status	Changes	Date	Name Version: Customer reference: 14.0009

Nr.	Qty.	PN	Name
1	1	PDM-27004	Unterteil / base
2	1	PDM-27001	Deckel / lid
3	5	400012.1	Scharnier / hinge 400 012 (Edelstahl / stainless steel)
4	4	400128.1	Verschluss / catch 400 128 (Stahl verzinkt / steel zincked)
5	2	400010a.1	Aufhalteband / webbing lid stay 400 010a
6	2	400120.1	Handgriff / handle 400 120 (Stahl verzinkt / steel zincked)