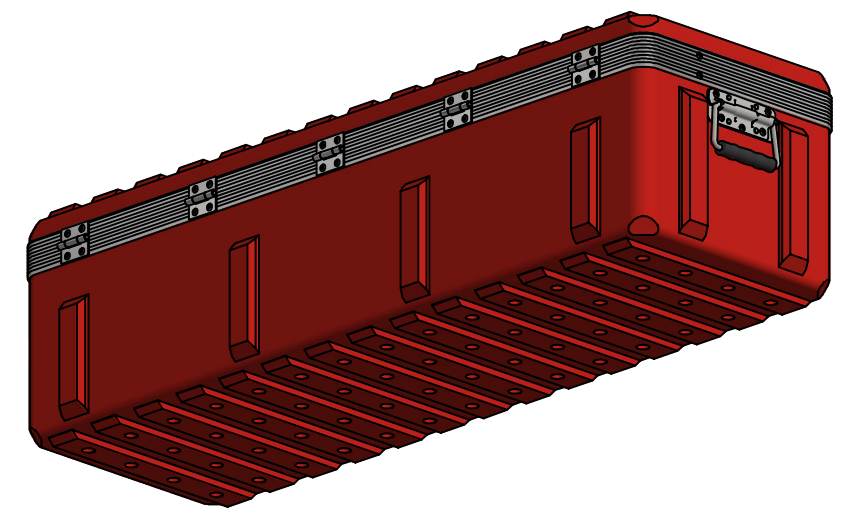
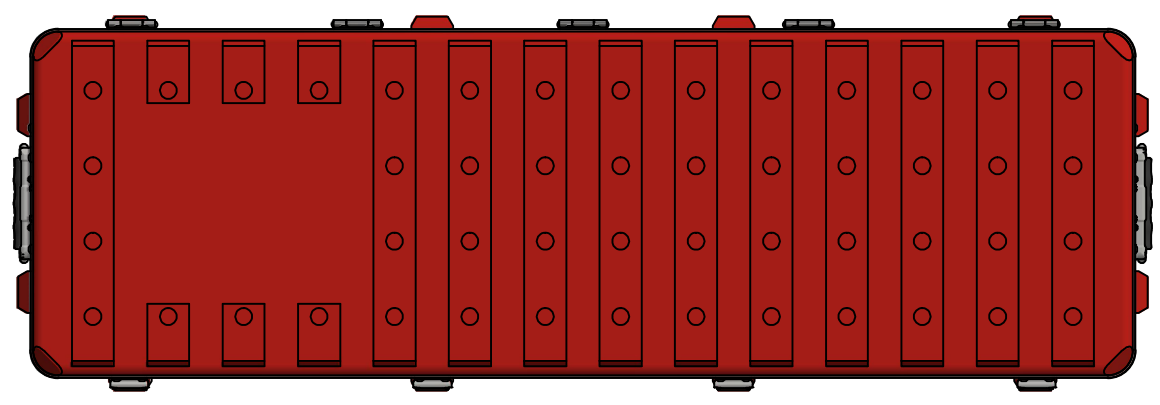
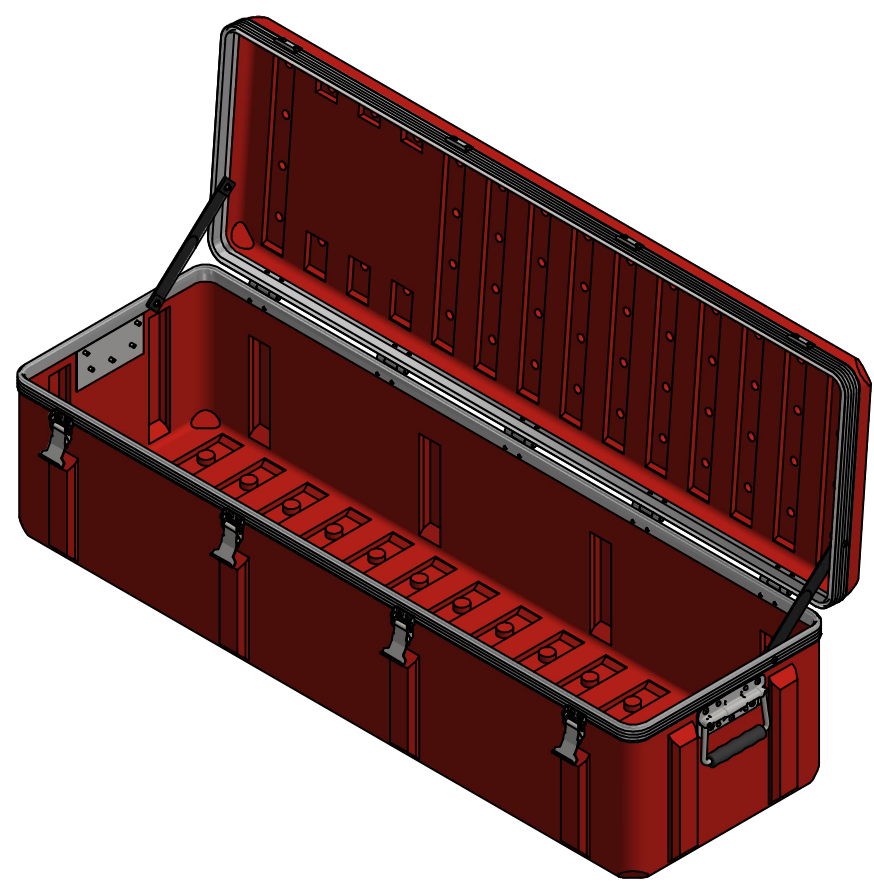
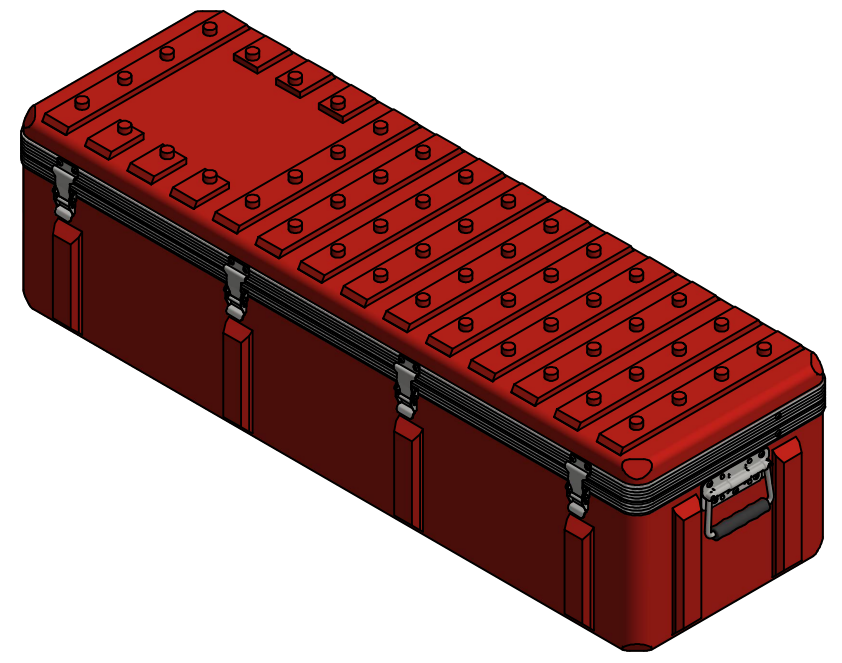
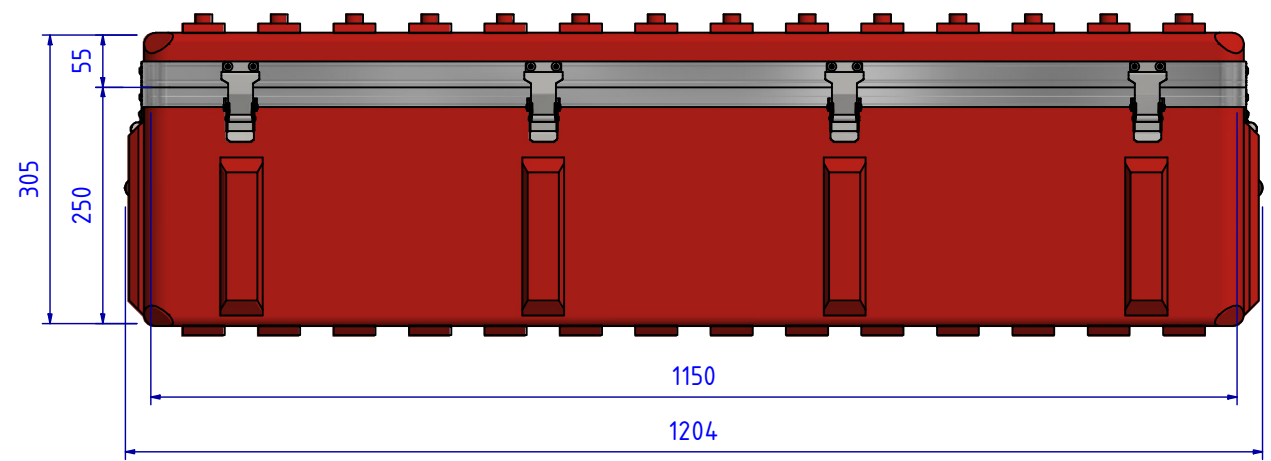
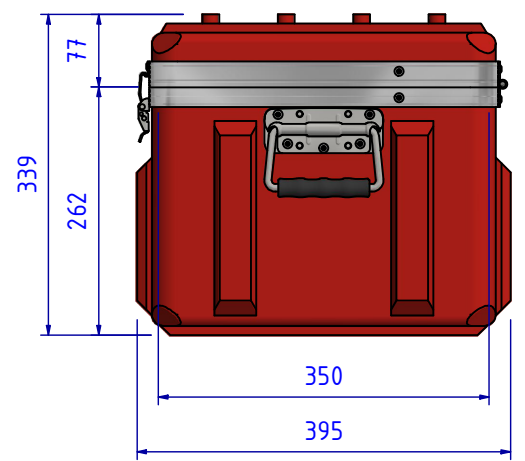



1 2 3 4 5 6 7 8

A B C D E F



 Thermodyne PACKAGING SOLUTIONS				Tolerance		1205 x 395 x 339			
				ISO 2768 - v					
				Date	Name		Thermodyne 120 40 07		
				Drawer	26.11.2021	YNi			
				Reviewed					
				Project owner		LHA		1204007n REV. 0 1 / 1 A3	
				Thermodyne GmbH					
				Nordstr. 15 D-49086 Osnabrück www.thermodyne.de					
				Status	Changes	Date	Name	Version:	Customer reference: 14.0009

Nr.	Qty.	PN	Name
1	1	PDM-27333	Unterteil / base
2	1	PDM-27330	Deckel / lid
3	5	400012.1	Scharnier / hinge 400 012 (Edelstahl / stainless steel)
4	4	400128.1	Verschluss / catch 400 128 (Stahl verzinkt / steel zincked)
5	2	400010a.1	Aufhalteband / webbing lid stay 400 010a
6	2	400120.1	Handgriff / handle 400 120 (Stahl verzinkt / steel zincked)